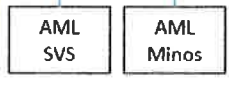
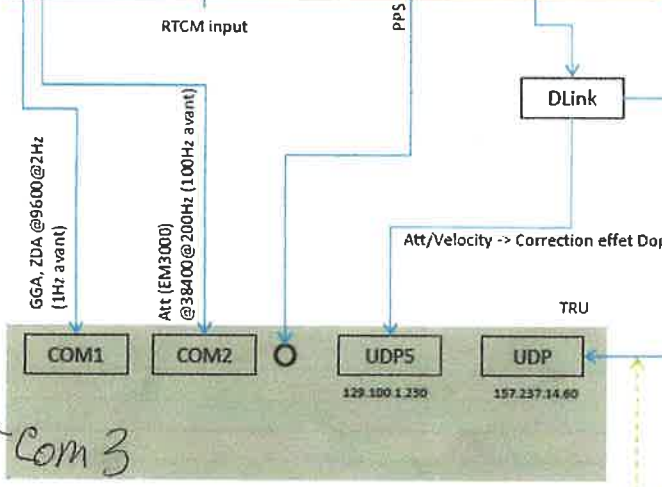


RS422 (PosMV) o/p
com 4 (DB9) Pin 3 Tx -ve
4 Tx +ve

I/P to EM302 TR

RS422 (EM302)
Com 3 (DB9) Pins 7 --
8 +ve
I/P

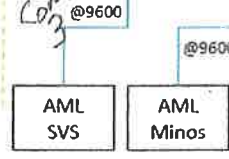
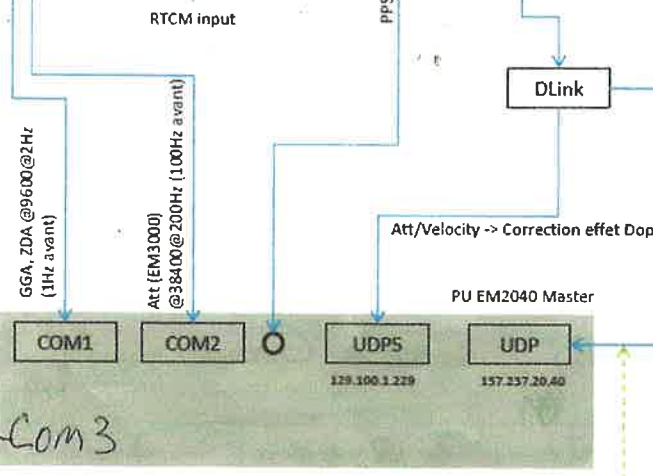


Interchangeable avec
EM2040 (pour
échanger HWS)

Com 3

Com 3 @9600

@9600



Interchangeable avec
EM302 (pour
échanger HWS)

I/P to EM2040
RS422 (EM2040)
Com 3 (RS45) Pins 7
w/Brun
I/P → BRN → 8-

Com 1 @9600

* Apr 16/17, 2018 Feb 7/21 + G&K
GGA & ZDA o/p from POS-MV (RS422)
at 2Hz I/P to Com 3 on PU & TRU

POS MV Settings for the DP (via IOLAN port 23 o/p to DP Sys)

a. Com 3

b. Baud Rate 9600, 8, 1, no parity, no flow control

c. Outputs selected

i. \$INGST

ii. \$INGGA

iii. \$INHDT

iv. \$INVTG

v. \$PASHR

d. Update rate 2hz

e. Talker ID "IN"

f. Roll positive = Port Up

g. Pitch positive = Bow Up

h. Heave positive = Heave up

